

产品特点/Introduction:

1. 迈拉胶带封装，干式环氧树脂灌注；
2. 铜螺母引出，体积小，安装简单方便；
3. 自感(ESL)小，等效串联电阻(ESR)小；
4. 高脉冲电流，高dv/dt承受能力；
5. 高频大电流承受能力。

1. Mylar tape package, Sealed with epoxy resin;
2. Copper nut leads, small size, easy installation;
3. Low ESL and ESR;
4. High pulse Current;
5. High-frequency current capacity.

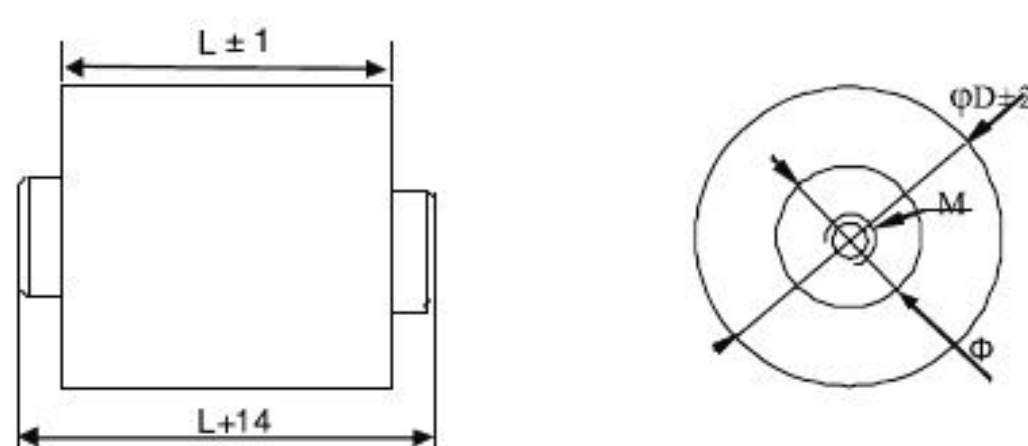


应用/Application:

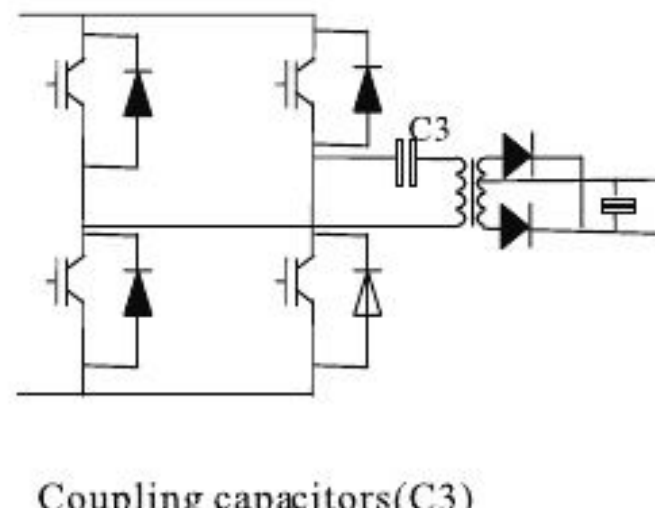
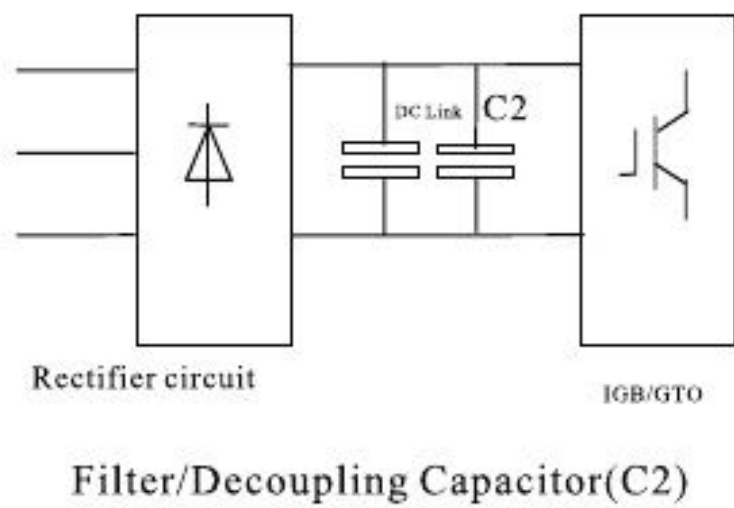
1. 广泛应用于DC-Link电路中，作高频滤波和退耦用；
2. 广泛应用于电力电子电路中，作隔直耦合用。

1. Widely used in DC-Link circuit for High-frequency filtering and decoupling;
2. Widely used in power electronic circuits, for coupling purposes.

外形图 /Outline drawing:



典型线路图/Typical circuit



性能参数/Technical data:

工作温度范围 /Operating temperature range	Max. Operating temperature, Top max: +85°C Upper category temperature: +70°C Lower category temperature: -40°C
容量范围 /Capacitance range	10-100μF
额定电压 Un/Rated voltage Un	350V.DC~1100V.DC
容量偏差 /Cap.tol	± 5% (J); ± 10% (K);
耐电压 /Withstand voltage	1.5UnDC/60S
损耗角正切 /Dissipation factor	tg δ ≤ 0.0015 f=1HZ
绝缘电阻 /Insulation resistance	Rs × C ≥ 5000S (at 20°C 100V.DC)
耐脉冲电流冲击 /Withstand strike current	见附表
有效电流 /Irms	见附表
引用标准 /Reference standard	IEC61071; IEC61881

规格/Specifications:

Cn (μF)	Part number	ΦD (mm)	W (mm)	ESR @1KHZ (mΩ)	ESL (nH)	dv/dt (V/μs)	Ipk (A)	Irms @40°C/10KHZ (A)
Un 350V.DC Us 525V Ur 100V								
20	FT206J00350□□	38	40	3.3	25	60	1200	30
30	FT306J00350□□	45	40	3.2	25	60	1800	40
30	FT406J00350□□	38	50	3.2	25	50	1500	30
40	FT506J00350□□	45	50	3	25	50	2000	35
50	FT606J00350□□	49	50	3	25	50	2500	40
60	FT706J00350□□	54	50	3	25	50	3000	45
70	FT706J00350□□	58	50	3	25	50	3500	50
80	FT806J00350□□	55	60	3	25	40	3200	50
100	FT107J00350□□	61	60	2.9	25	40	4000	55
Un 700V.DC Us 1050V Ur 200V								
20	FT206J00700□□	38	40	3.3	25	60	1200	30
30	FT306J00700□□	45	40	3.2	25	60	1800	40
30	FT306J00700□□	38	50	3.2	25	50	1500	30
40	FT406J00700□□	45	50	3	25	50	2000	35

规格/Specifications:

Cn (μF)	Part number	ΦD (mm)	W (mm)	ESR @1KHZ (mΩ)	ESL (nH)	dv/dt (V/μs)	Ipk (A)	Irms @40°C/10KHZ (A)
Un 700V.DC Us 1050V Ur 200V								
50	FT506J00700□□	49	50	3	25	50	2500	40
60	FT606J00700□□	54	50	3	25	50	3000	45
70	FT706J00700□□	58	50	3	25	50	3500	50
80	FT806J00700□□	55	60	3	25	40	3200	50
100	FT107J00700□□	61	60	2.9	25	40	4000	55
Un 800V.DC Us 1200V Ur 250V								
20	FT206J00800□□	44	40	2.9	25	60	1200	40
30	FT306J00800□□	54	40	2.7	25	80	2400	45
30	FT306J00800□□	45	50	2.6	25	60	1800	40
30	FT306J00800□□	40	60	2.8	25	50	1500	35
40	FT406J00800□□	62	40	2.5	25	80	3200	55
40	FT406J00800□□	52	50	2.7	25	60	2400	45
40	FT406J00800□□	46	60	3.2	25	60	2400	40
50	FT506J00800□□	69	40	2.1	25	80	4000	60
50	FT506J00800□□	59	50	2.4	25	60	3000	50
50	FT506J00800□□	52	60	2.5	25	60	3000	45
60	FT606J00800□□	64	50	2.3	25	60	3600	55
60	FT606J00800□□	56	60	2.4	25	60	3600	50
70	FT706J00800□□	70	50	2	25	60	4200	60
70	FT706J00800□□	62	60	2.2	25	60	4200	55
80	FT806J00800□□	73	50	2.1	25	60	4800	60
80	FT806J00800□□	65	60	2.5	25	60	4800	60
100	FT107J00800□□	82	50	1.8	25	60	6000	75
100	FT107J00800□□	72	60	2.2	25	50	5000	65
Un 1100V.DC Us 1650V Ur 300V								
10	FT106J01100□□	42	40	3.4	25	60	600	35
20	FT206J01100□□	50	50	3.1	25	60	1200	40
20	FT206J01100□□	65	40	3	25	60	1200	60
30	FT306J01100□□	60	50	3.1	25	60	1800	55
40	FT406J01100□□	69	50	2.7	25	60	2400	60
40	FT406J01100□□	61	60	2.9	25	50	2000	55
50	FT506J01100□□	68	60	2.6	25	50	2500	60
60	FT606J01100□□	75	60	2.2	25	50	3000	70
70	FT706J01100□□	81	60	1.9	25	50	3500	70
80	FT806J01100□□	86	60	1.6	25	50	4000	75