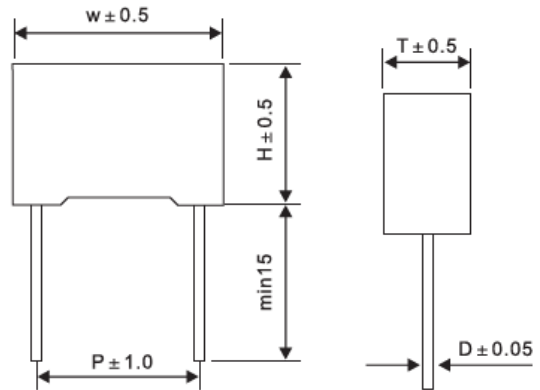
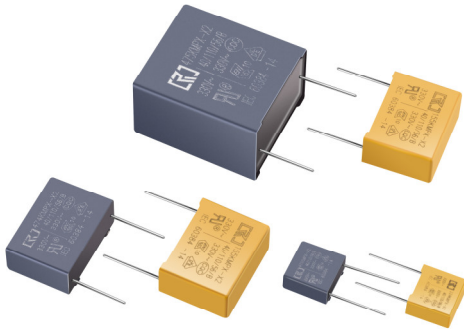




MPX-X2



■ 特性 Features

- 金属化聚丙烯膜，无感卷绕结构；
- 自愈性能优异，能承受过压冲击；
- 优异的阻燃、防潮性能

Metallized polypropylene film, non-inductive wound construction;

Excellent self-healing properties, withstanding overvoltage capability;

Excellent active and passive flame resistant capability and humidity resistant capability for harsh environment conditions

■ 用 APPLICATION

- 广泛用于电源跨线线路等抗干扰场合；
- 用于与电源串联的电容降压电路场合

Widely used in across-the-line, interference suppression circuit;

Used in RC step-down circuits when in series connection with power supplies.

■ 性能参数 Technical data

引用技术标准 GB/T 17702(IEC61071)、AEC-Q200D

项目 Item	性能 Performance Characteristics	
使用温度范围 Operating Temperature range	-40 +105°C	
贮存温度范围 Storage Temperature range	-40 +105°C	
额定电压 Rated Voltage Range	275~330VAC	
额定容量 Rated Capacity	0.001~10 μ F	
静电容量范围 Capacitance Tolerance	± 5% (J) / ± 10% (K)	
介质损耗 (tanδ) Dissipation Factor (tan δ)	≤ 0.0015 at 20°C, 1K Hz	
耐电压 Voltage Proof	极间 V _{t-t}	1.5U _n (10S, 20°C ± 5°C)
	极壳 V _{t-c}	---
杂散电感 ESL	≤ 30nH	
绝缘电阻 IR	≥ 5000s at 100VDC/60S	
耐久性试验 Endurance	测试条件: 温度 85°C ± 3°C; 施加额定电压 U _n ; 试验时间 1000h.	
	静电容量变化 Capacitance change	Δ C / C ₀ ≤ 10%
	损耗角正切 D. F. (Tan δ)	Δ tan δ ≤ 1.2tan δ + 0.0001
预期寿命 Life	100000h (可参考寿命曲线图)	



MPX-X2

Pitch=7.5					
CN μ F	外形尺寸 mm			P (mm)	Part Number
	W	H	T		
0.001	10.5	9	4	7.5	
0.0012	10.5	9	4	7.5	
0.0015	10.5	9	4	7.5	
0.0018	10.5	9	4	7.5	
0.0022	10.5	9	4	7.5	
0.0027	10.5	9	4	7.5	
0.0033	10.5	9	4	7.5	
0.0039	10.5	9	4	7.5	
0.0047	10.5	9	4	7.5	
0.0056	10.5	9	4	7.5	
0.0068	10.5	9	4	7.5	
0.0082	10.5	9	4	7.5	
0.01	10.5	9	4	7.5	
0.01	10.5	11	5	7.5	
0.012	10.5	9	4	7.5	
0.012	10.5	11	5	7.5	
0.015	10.5	9	4	7.5	
0.015	10.5	11	5	7.5	
0.018	10.5	9	4	7.5	
0.018	10.5	12	6	7.5	
0.022	10.5	11	5	7.5	
0.022	10.5	12	6	7.5	
0.027	10.5	12	5	7.5	
0.027	10.5	12	6	7.5	
0.033	10.5	12	6	7.5	
0.039	10.5	12	6	7.5	
0.047	10.5	12	6	7.5	

Pitch=10					
CN μ F	外形尺寸 mm			P (mm)	Part Number
	W	H	T		
0.0047	13	9	4	10	
0.0056	13	9	4	10	
0.0068	13	9	4	10	
0.0082	13	9	4	10	
0.01	13	9	4	10	
0.01	13	11	5	10	
0.012	13	9	4	10	
0.012	13	11	5	10	
0.015	13	9	4	10	

0.015	13	11	5	10	
0.018	13	9	4	10	
0.018	13	11	5	10	
0.018	13	12	6	10	
0.022	13	9	4	10	
0.022	13	11	5	10	
0.022	13	12	6	10	
0.027	13	9	4	10	
0.027	13	11	5	10	
0.027	13	12	6	10	
0.033	13	11	5	10	
0.033	13	12	6	10	
0.039	13	11	5	10	
0.039	13	12	6	10	
0.047	13	11	5	10	
0.047	13	12	6	10	
0.047	13	13	7	10	
0.056	13	12	6	10	
0.056	13	13	7	10	
0.056	13	14	8	10	
0.068	13	12	6	10	
0.068	13	13	7	10	
0.068	13	14	8	10	
0.082	13	13	7	10	
0.082	13	14	8	10	
0.1	13	13	7	10	
0.1	13	14	8	10	
0.12	13	14	8	10	

Pitch=15					
CN μ F	外形尺寸 mm			P (mm)	Part Number
	W	H	T		
0.01	18	11	5	15	
0.012	18	11	5	15	
0.015	18	11	5	15	
0.018	18	11	5	15	
0.022	18	11	5	15	
0.027	18	11	5	15	
0.033	18	11	5	15	
0.033	18	12	6	15	
0.039	18	11	5	15	
0.039	18	12	6	15	
0.047	18	11	5	15	
0.047	18	12	6	15	
0.056	18	11	5	15	
0.056	18	12	6	15	
0.068	18	11	5	15	
0.068	18	12	6	15	



0.082	18	11	5	15	
MPX-X2					
0.082	18	12	6	15	
0.1	18	11	5	15	
0.1	18	12	6	15	
0.12	18	12	6	15	
0.15	18	12	6	15	
0.15	18	13.5	7.5	15	
0.18	18	13.5	7.5	15	
0.18	18	14.5	8.5	15	
0.22	18	13.5	7.5	15	
0.22	18	14.5	8.5	15	
0.27	18	14.5	8.5	15	
0.27	18	16	10	15	
0.33	18	16	10	15	
0.33	18	19	11	15	
0.39	18	16	10	15	
0.39	18	19	11	15	
0.47	18	19	11	15	
0.56	18	19	11	15	

1	26.5	29.5	14.5	22.5	
1.2	26.5	22	12	22.5	
1.2	26.5	29.5	14.5	22.5	
1.5	26.5	29.5	14.5	22.5	
1.8	26.5	29.5	14.5	22.5	
2.2	26.5	29.5	14.5	22.5	

Pitch=22.5					
CN μ F	外形尺寸 mm			P (mm)	Part Number
	W	H	T		
0.15	26.5	15	6	22.5	
0.18	26.5	15	6	22.5	
0.22	26.5	15	6	22.5	
0.22	26.5	16.5	7	22.5	
0.27	26.5	15	6	22.5	
0.27	26.5	16.5	7	22.5	
0.33	26.5	16.5	7	22.5	
0.33	26.5	17	8.5	22.5	
0.39	26.5	16.5	7	22.5	
0.39	26.5	17	8.5	22.5	
0.39	26.5	19	10	22.5	
0.47	26.5	17	8.5	22.5	
0.47	26.5	19	10	22.5	
0.56	26.5	17	8.5	22.5	
0.56	26.5	19	10	22.5	
0.68	26.5	19	10	22.5	
0.68	26.5	20	11	22.5	
0.82	26.5	19	10	22.5	
0.82	26.5	22	12	22.5	
1	26.5	20	11	22.5	

Pitch=27.5					
CN μ F	外形尺寸 mm			P (mm)	Part Number
	W	H	T		
0.39	32	18	9	27.5	
0.47	32	18	9	27.5	
0.56	32	18	9	27.5	
0.68	32	18	9	27.5	
0.68	32	20	11	27.5	
0.82	32	18	9	27.5	
0.8	32	20	11	27.5	
1	32	20	11	27.5	
1	32	22	13	27.5	
1.2	32	20	11	27.5	
1.2	32	22	13	27.5	
1.5	32	22	13	27.5	
1.5	32	25	14	27.5	
1.8	32	25	14	27.5	
1.8	32	28	14	27.5	
1.8	32	28	18	27.5	
2.2	32	28	14	27.5	
2.2	32	28	18	27.5	
2.7	32	28	18	27.5	
2.7	32	33	18	27.5	
3.3	32	28	18	27.5	
3.3	32	37	22	27.5	
3.9	32	33	18	27.5	
3.9	32	37	22	27.5	
4.7	32	37	22	27.5	
5.6	32	37	22	27.5	

Pitch=37.5					
CN μ F	外形尺寸 mm			P (mm)	Part Number
	W	H	T		
1.5	41	22	11	37.5	
1.5	41	24	13	37.5	
1.8	41	22	11	37.5	
1.8	41	24	13	37.5	
2.2	41	24	13	37.5	
2.2	41	26	15	37.5	
2.7	41	24	13	37.5	



3.3	41	26	15	37.5	
3.3	42.5	28	17	37.5	
3.9	42.5	28	17	37.5	
3.9	41.5	35	19	37.5	
4.7	42.5	28	17	37.5	

MKP-X2

4.7	41	36	22	37.5	
5.6	41.5	35	19	37.5	
5.6	41	37	22	37.5	
6.8	41	37	22	37.5	
6.8	41	41	26	37.5	
8.2	41	37	22	37.5	
8.2	41	41	26	37.5	
10	41	41	26	37.5	
10	42	45	30	37.5	

Pitch=57.5

CN μ F	外形尺寸 mm			P (mm)	Part Number
	W	H	T		
8.2	57.5	45	30	52.5	
10	57.5	50	35	52.5	