



MKP-FS (DC-LINK)



■ 特性 Features

容量大，体积小

耐高压，具有自愈性

高纹波电路，高 dv/dt 承受力

Large capacity, compact size;

High withstanding voltage capability self-healing property;

High ripple current capability, high dv/dt strength

■ 应用 APPLICATION

广泛用于电力电子电路中做母线支撑

Widely used in power electronic circuits for DC-Link



■ 性能参数 Technical data

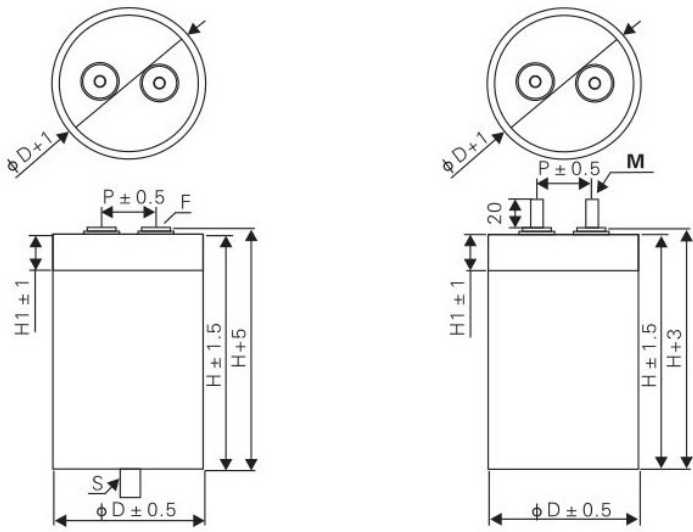
引用技术标准 GB/T 17702(IEC61071)、AEC-Q200D

项目 Item	性能 Performance Characteristics	
使用温度范围 Operating Temperature range	-40+105℃	
贮存温度范围 Storage Temperature range	-40+105℃	
额定电压 Rated Voltage Range	500~2000V.DC	
额定容量 Rated Capacity	100~3000 μ F	
静电容量范围 Capacitance Tolerance	± 5% (J) / ±10% (K)	
介质损耗 (tanδ) Dissipation Factor (tan δ)	≤0.0025 at 20°C, 100Hz	
耐电压 Voltage Proof	极间 V _{tt}	1.5U _n (10S,20°C ± 5°C)
	极壳 V _{t-c}	3000V.AC/60S
杂散电感 ESL	≤40nH	
绝缘电阻 IR	≥5000s at 100VDC/60S	
耐久性试验 Endurance	测试条件: 温度 85°C ± 3°C; 施加 1.3 倍额定电压 U _n ; 试验时间 1000h.	
	静电容量变化 Capacitance change	Δ C/C0 ≤ 10%
预期寿命 Life	100000h (可参考寿命曲线图)	



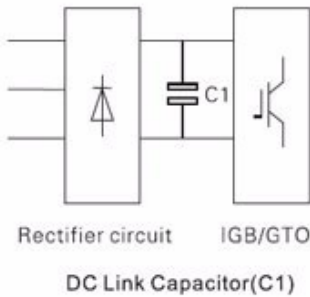
MKP-FS (DC-LINK)

■ 尺寸图 Dimension (图片需要更换)



ΦD (mm)	P (mm)	H1 (mm)	S	F	M
76	32	30	M12 x 16	M6 x 10	M8 x 20
86	32	23	M12 x 16	M6 x 10	M8 x 20
96	45	30	M12 x 16	M6 x 10	M8 x 20
116	50	30	M12 x 16	M6 x 10	M8 x 20
136	50	30	M16 x 25	M6 x 10	M8 x 20

■ 典型线路图 Typical Circuit



Over Voltage	1.1Un (30% of on-load-dur.)	System Adjustment
	1.15Un (30 min/ day)	
	1.2Un (5 min/ day)	
	1.3Un (1 min/ day)	System Switch
	1.5Un(100ms every time, 1000times during the lifetime)	

■ 产品编码体系 Part Numbering (例 example: 450V 330 μF)



■ 尺寸表 Standard Products Table

UN=85°C 500VDC										
Cn (μF)	D±1	H±1	H1	P±0.5	Ls(nH)	I [∧] (A)	ESR(mΩ) @1kHz	Imax (A)		Part Number
								40°C	55°C	
330	65	105	110	28	45	1000	3.3	60	50	
470	76	105	110	32	45	1200	2.4	70	60	
470	65	125	130	28	50	1200	2.6	65	55	
680	86	105	110	32	45	1600	1.7	70	60	
680	76	125	130	32	50	1600	1.9	70	55	
1000	86	145	150	32	50	2000	1.6	70	65	



MKP-FS (DC-LINK)

1000	76	175	180	32	55	2000	1.8	70	62	
1500	116	145	150	50	50	2800	1.5	90	80	
2000	116	175	180	50	55	4000	1.6	80	80	
UN=85°C 600VDC										
Cn (μ F)	D \pm 1	H \pm 1	H1	P \pm 0.5	Ls(nH)	\hat{I} (A)	ESR(m Ω) @1kHz	Imax (A)		Part Number
								40°C	55°C	
330	65	125	130	28	50	1000	3.4	55	50	
470	76	125	130	32	50	1400	2.5	70	60	
470	65	155	160	28	55	1400	3.2	60	50	
680	86	125	130	32	45	1600	2	70	62	
680	76	155	160	32	55	1600	2.2	70	58	
1000	96	145	150	32	50	2000	1.8	70	70	
1000	86	175	180	45	55	2000	2	70	66	
1500	116	145	150	50	50	2800	1.6	90	80	
1500	96	210	215	45	60	2800	1.8	80	70	
2000	136	145	150	50	50	4000	1.2	100	80	
2000	116	180	185	50	55	4000	1.4	90	77	
UN=85°C 800VDC										
Cn (μ F)	D \pm 1	H \pm 1	H1	P \pm 0.5	Ls(nH)	\hat{I} (A)	ESR(m Ω) @1kHz	Imax (A)		Part Number
								40°C	55°C	
330	65	145	150	28	50	1600	3.5	55	50	
420	76	125	130	32	45	1600	2.2	70	58	
680	86	145	150	32	50	2000	1.6	70	70	
1000	96	180	185	45	55	5000	1.2	70	70	
1000	86	210	215	32	60	5000	1.4	70	68	
1500	116	180	185	50	55	8000	1	80	80	
1500	96	225	230	45	60	8000	1.2	80	75	
2000	136	180	185	50	55	10000	0.8	100	95	
2000	116	225	230	50	60	10000	1	100	92	
UN=85°C 1100VDC										
Cn (μ F)	D \pm 1	H \pm 1	H1	P \pm 0.5	Ls(nH)	\hat{I} (A)	ESR(m Ω) @1kHz	Imax (A)		Part Number
								40°C	55°C	
200	65	125	130	28	45	1400	3.6	60	52	
330	76	145	150	32	50	2000	2.6	70	62	
420	86	136	141	32	45	2200	2	70	70	
470	86	155	160	32	50	2500	1.8	70	68	
500	86	175	180	32	55	2600	1.6	70	67	
680	96	175	180	45	55	5000	1.2	70	70	
680	86	225	230	32	60	5200	1.4	70	65	
1000	96	225	230	45	60	7300	1.1	70	70	
1000	116	175	180	50	55	7600	1	100	80	
1500	116	225	230	50	60	15000	0.8	90	80	
2000	136	255	260	50	60	15000	0.8	100	90	



MKP-FS (DC-LINK)

UN=85°C 2000VDC										
Cn (μ F)	D \pm 1	H \pm 1	H1	P \pm 0.5	Ls(nH)	\hat{I} (A)	ESR(m Ω) @1kHz	Imax (A)		Part Number
								40°C	55°C	
100	86	125	130	32	45	1900	3.6	70	70	
200	96	175	180	45	55	3600	2.6	80	76	
300	116	175	180	50	55	5100	1.5	80	80	
420	116	255	260	50	60	8000	1.2	80	80	
470	136	225	230	50	60	10000	1	100	100	