



# MKP-FB (DC-LINK)



### ■ 特性 Features

安装简单方便

容量大、体积小

耐高压，具有自愈性

高纹波电路，高 dv/dt 承受力

Easy mounting;

Large capacity, compact size;

High withstanding voltage capability self-healing property;

High ripple current capability, high dv/dt strength



### ■ 应用 APPLICATION

广泛用于电力电子电路中做母线支撑

Widely used in power electronic circuits for DC-Link

### ■ 性能参数 Technical data

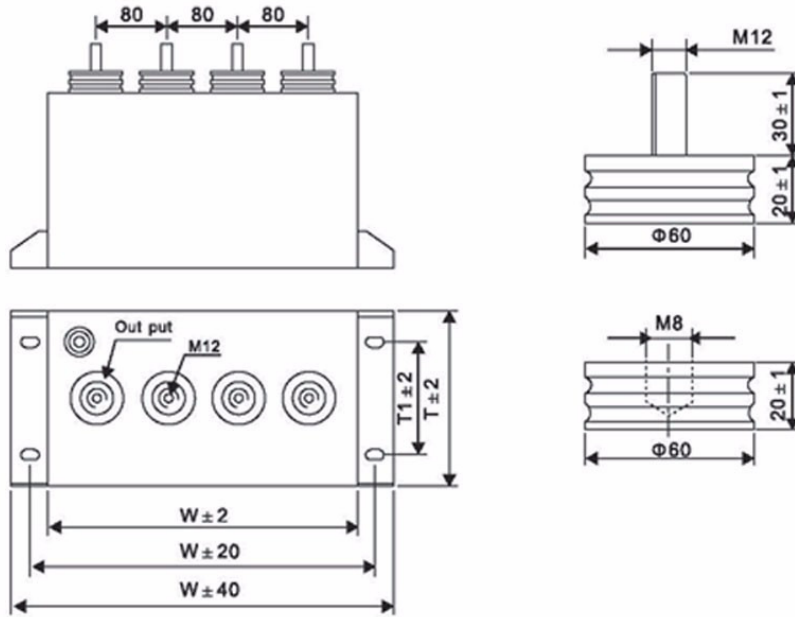
引用技术标准 GB/T 17702(IEC61071)、AEC-Q200D

项目 Item	性能 Performance Characteristics	
使用温度范围 Operating Temperature range	-40+105℃	
贮存温度范围 Storage Temperature range	-40+105℃	
额定电压 Rated Voltage Range	400~3000V.DC	
额定容量 Rated Capacity	1000~30000 μ F	
静电容量范围 Capacitance Tolerance	± 5% ( J ) / ±10% ( K )	
介质损耗 ( tanδ ) Dissipation Factor ( tan δ )	≤0.0030 at 20°C, 100Hz	
耐电压 Voltage Proof	极间 V <sub>tt</sub>	1.5U <sub>n</sub> (10S,20°C±5°C)
	极壳 V <sub>t-c</sub>	3000V.AC/60S
杂散电感 ESL	≤60nH	
绝缘电阻 IR	≥5000s at 100VDC/60S	
耐久性试验 Endurance	测试条件: 温度 85°C±3°C; 施加 1.3 倍额定电压; 试验时间 1000h.	
	静电容量变化 Capacitance change	Δ C/C0   ≤ 10%
预期寿命 Life	100000h (可参考寿命曲线图)	

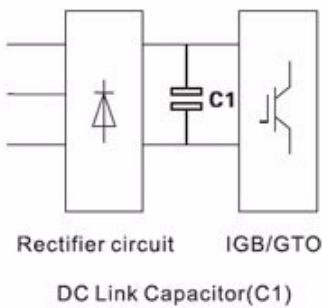


# MKP-FB (DC-LINK)

■ 尺寸图 Dimension (图片需要更换)



■ 典型线路图 Typical Circuit



Over Voltage	1.1Un (30% of on-load-dur.)	System Adjustment
	1.15Un (30 min/ day)	
	1.2Un (5 min/ day)	
	1.3Un (1 min/ day)	System Switch
	1.5Un(100ms every time, 1000times during the lifetime)	

■ 产品编码体系 Part Numbering (例 example: 450V 330 μF)

