

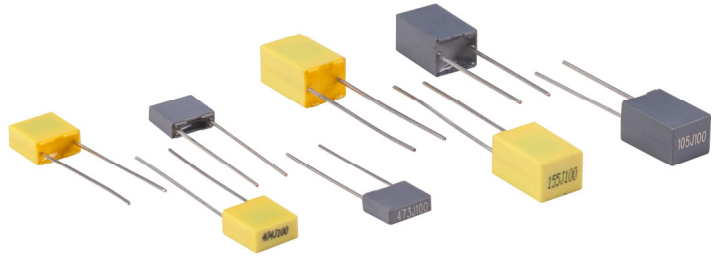


BME (Mini Box Type)



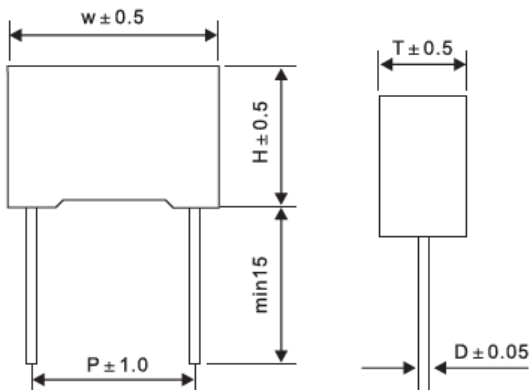
性能参数 Technical data

引用技术标准 GB/T 17702(IEC61071)、AEC-Q200D



| 项目 Item | 性能 Performance Characteristics | |
|---|--|------------------------------------|
| 使用温度范围 Operating Temperature range | -40 +105°C | |
| 贮存温度范围 Storage Temperature range | -40 +105°C | |
| 额定电压 Rated Voltage Range | 63V~630VDC | |
| 额定容量 Rated Capacity | 0.001~1 μF | |
| 静电容量范围 Capacitance Tolerance | ± 5% (J) / ±10% (K) | |
| 介质损耗 (tanδ) Dissipation Factor (tan δ) | ≤0.0015 at 20°C, 1K Hz | |
| 耐电压 Voltage Proof | 极间 V _{t-t} | 1.5U _n (10S,20°C ± 5°C) |
| | 极壳 V _{t-c} | --- |
| 杂散电感 ESL | ≤30nH | |
| 绝缘电阻 IR | ≥5000s at 100VDC/60S | |
| 耐久性试验 Endurance | 测试条件: 温度 85°C ± 3°C; 施加额定电压 U _n ; 试验时间 1000h. | |
| | 静电容量变化 Capacitance change | Δ C / C ₀ ≤ 10% |
| | 损耗角正切 D. F. (Tan δ) | Δ tanδ ≤ 1.2tanδ + 0.0001 |
| 预期寿命 Life | 100000h (可参考寿命曲线图) | |

尺寸图 Dimension (图片需要更换)





BME (Mini Box Type)

50/63V (30/40VAC)

| CN μ F | 外形尺寸 mm | | | P (mm) | Part Number |
|------------|---------|-----|-----|--------|-------------|
| | W | H | T | | |
| 0.001 | 7.2 | 6.5 | 2.5 | 5 | |
| 0.0012 | 7.2 | 6.5 | 2.5 | 5 | |
| 0.0015 | 7.2 | 6.5 | 2.5 | 5 | |
| 0.0018 | 7.2 | 6.5 | 2.5 | 5 | |
| 0.0022 | 7.2 | 6.5 | 2.5 | 5 | |
| 0.0027 | 7.2 | 6.5 | 2.5 | 5 | |
| 0.0033 | 7.2 | 6.5 | 2.5 | 5 | |
| 0.0039 | 7.2 | 6.5 | 2.5 | 5 | |
| 0.0047 | 7.2 | 6.5 | 2.5 | 5 | |
| 0.0056 | 7.2 | 6.5 | 2.5 | 5 | |
| 0.0068 | 7.2 | 6.5 | 2.5 | 5 | |
| 0.0082 | 7.2 | 6.5 | 2.5 | 5 | |
| 0.01 | 7.2 | 6.5 | 2.5 | 5 | |
| 0.012 | 7.2 | 6.5 | 2.5 | 5 | |
| 0.015 | 7.2 | 6.5 | 2.5 | 5 | |
| 0.018 | 7.2 | 6.5 | 2.5 | 5 | |
| 0.022 | 7.2 | 6.5 | 2.5 | 5 | |
| 0.027 | 7.2 | 6.5 | 2.5 | 5 | |
| 0.033 | 7.2 | 6.5 | 2.5 | 5 | |
| 0.039 | 7.2 | 6.5 | 2.5 | 5 | |
| 0.047 | 7.2 | 6.5 | 2.5 | 5 | |
| 0.056 | 7.2 | 6.5 | 2.5 | 5 | |
| 0.068 | 7.2 | 6.5 | 2.5 | 5 | |
| 0.082 | 7.2 | 6.5 | 2.5 | 5 | |
| 0.1 | 7.2 | 6.5 | 2.5 | 5 | |
| 0.12 | 7.2 | 6.5 | 2.5 | 5 | |
| 0.15 | 7.2 | 7.5 | 3.5 | 5 | |
| 0.18 | 7.2 | 7.5 | 3.5 | 5 | |
| 0.22 | 7.2 | 7.5 | 3.5 | 5 | |
| 0.27 | 7.2 | 9.5 | 4.5 | 5 | |
| 0.33 | 7.2 | 9.5 | 4.5 | 5 | |
| 0.39 | 7.2 | 9.5 | 4.5 | 5 | |
| 0.47 | 7.2 | 10 | 5 | 5 | |
| 0.56 | 7.2 | 10 | 5 | 5 | |
| 0.68 | 7.2 | 11 | 6 | 5 | |
| 0.82 | 7.2 | 11 | 6 | 5 | |
| 1 | 7.2 | 11 | 6 | 5 | |

100V (63VAC)

| CN μ F | 外形尺寸 mm | | | P (mm) | Part Number |
|------------|---------|-----|-----|--------|-------------|
| | W | H | T | | |
| 0.001 | 7.2 | 6.5 | 2.5 | 5 | |
| 0.0012 | 7.2 | 6.5 | 2.5 | 5 | |
| 0.0015 | 7.2 | 6.5 | 2.5 | 5 | |
| 0.0018 | 7.2 | 6.5 | 2.5 | 5 | |
| 0.0022 | 7.2 | 6.5 | 2.5 | 5 | |
| 0.0027 | 7.2 | 6.5 | 2.5 | 5 | |
| 0.0033 | 7.2 | 6.5 | 2.5 | 5 | |
| 0.0039 | 7.2 | 6.5 | 2.5 | 5 | |
| 0.0047 | 7.2 | 6.5 | 2.5 | 5 | |
| 0.0056 | 7.2 | 6.5 | 2.5 | 5 | |
| 0.0068 | 7.2 | 6.5 | 2.5 | 5 | |
| 0.0082 | 7.2 | 6.5 | 2.5 | 5 | |
| 0.01 | 7.2 | 6.5 | 2.5 | 5 | |
| 0.012 | 7.2 | 6.5 | 2.5 | 5 | |
| 0.015 | 7.2 | 6.5 | 2.5 | 5 | |
| 0.018 | 7.2 | 6.5 | 2.5 | 5 | |
| 0.022 | 7.2 | 6.5 | 2.5 | 5 | |
| 0.027 | 7.2 | 6.5 | 2.5 | 5 | |
| 0.033 | 7.2 | 6.5 | 2.5 | 5 | |
| 0.039 | 7.2 | 6.5 | 2.5 | 5 | |
| 0.047 | 7.2 | 6.5 | 2.5 | 5 | |
| 0.056 | 7.2 | 6.5 | 2.5 | 5 | |
| 0.068 | 7.2 | 6.5 | 2.5 | 5 | |
| 0.082 | 7.2 | 6.5 | 2.5 | 5 | |
| 0.1 | 7.2 | 7.5 | 3.5 | 5 | |
| 0.12 | 7.2 | 9.5 | 4.5 | 5 | |
| 0.15 | 7.2 | 9.5 | 4.5 | 5 | |
| 0.18 | 7.2 | 9.5 | 4.5 | 5 | |
| 0.22 | 7.2 | 10 | 5 | 5 | |
| 0.27 | 7.2 | 10 | 5 | 5 | |
| 0.33 | 7.2 | 11 | 6 | 5 | |
| 0.39 | 7.2 | 11 | 6 | 5 | |
| 0.47 | 7.2 | 11 | 6 | 5 | |
| 0.56 | 7.2 | 11 | 6 | 5 | |

250V (160VAC)

| CN μ F | 外形尺寸 mm | | | P (mm) | Part Number |
|------------|---------|-----|-----|--------|-------------|
| | W | H | T | | |
| 0.001 | 7.2 | 6.5 | 2.5 | 5 | |
| 0.0012 | 7.2 | 6.5 | 2.5 | 5 | |
| 0.0015 | 7.2 | 6.5 | 2.5 | 5 | |
| 0.0018 | 7.2 | 6.5 | 2.5 | 5 | |
| 0.0022 | 7.2 | 6.5 | 2.5 | 5 | |
| 0.0027 | 7.2 | 6.5 | 2.5 | 5 | |
| 0.0033 | 7.2 | 6.5 | 2.5 | 5 | |
| 0.0039 | 7.2 | 6.5 | 2.5 | 5 | |



| | | | | | |
|----------------------------|-----|-----|-----|---|--|
| 0.0047 | 7.2 | 6.5 | 2.5 | 5 | |
| 0.0056 | 7.2 | 6.5 | 2.5 | 5 | |
| 0.0068 | 7.2 | 6.5 | 2.5 | 5 | |
| 0.0082 | 7.2 | 6.5 | 2.5 | 5 | |
| BME (Mini Box Type) | | | | | |
| 0.01 | 7.2 | 6.5 | 2.5 | 5 | |
| 0.012 | 7.2 | 6.5 | 2.5 | 5 | |
| 0.015 | 7.2 | 6.5 | 2.5 | 5 | |
| 0.018 | 7.2 | 6.5 | 2.5 | 5 | |
| 0.022 | 7.2 | 7.5 | 3.5 | 5 | |
| 0.027 | 7.2 | 7.5 | 3.5 | 5 | |
| 0.033 | 7.2 | 7.5 | 3.5 | 5 | |
| 0.039 | 7.2 | 7.5 | 3.5 | 5 | |
| 0.047 | 7.2 | 9.5 | 4.5 | 5 | |
| 0.056 | 7.2 | 9.5 | 4.5 | 5 | |
| 0.068 | 7.2 | 9.5 | 4.5 | 5 | |
| 0.082 | 7.2 | 10 | 5 | 5 | |
| 0.1 | 7.2 | 10 | 5 | 5 | |
| 0.12 | 7.2 | 11 | 6 | 5 | |
| 0.15 | 7.2 | 11 | 6 | 5 | |

| 500V (220VAC) | | | | | |
|---------------|---------|-----|-----|--------|-------------|
| CN μ F | 外形尺寸 mm | | | P (mm) | Part Number |
| | W | H | T | | |
| 0.001 | 7.2 | 6.5 | 2.5 | 5 | |
| 0.0012 | 7.2 | 6.5 | 2.5 | 5 | |
| 0.0015 | 7.2 | 6.5 | 2.5 | 5 | |
| 0.0018 | 7.2 | 6.5 | 2.5 | 5 | |
| 0.0022 | 7.2 | 6.5 | 2.5 | 5 | |
| 0.0027 | 7.2 | 6.5 | 2.5 | 5 | |
| 0.0033 | 7.2 | 7.5 | 3.5 | 5 | |
| 0.0039 | 7.2 | 7.5 | 3.5 | 5 | |
| 0.0047 | 7.2 | 7.5 | 3.5 | 5 | |
| 0.0056 | 7.2 | 7.5 | 3.5 | 5 | |
| 0.0068 | 7.2 | 9.5 | 4.5 | 5 | |
| 0.0082 | 7.2 | 9.5 | 4.5 | 5 | |
| 0.01 | 7.2 | 9.5 | 4.5 | 5 | |
| 0.012 | 7.2 | 9.5 | 4.5 | 5 | |
| 0.015 | 7.2 | 10 | 5 | 5 | |
| 0.018 | 7.2 | 11 | 6 | 5 | |
| 0.022 | 7.2 | 11 | 6 | 5 | |
| 0.027 | 7.2 | 11 | 6 | 5 | |

| 400V (200VAC) | | | | | |
|---------------|---------|-----|-----|--------|-------------|
| CN μ F | 外形尺寸 mm | | | P (mm) | Part Number |
| | W | H | T | | |
| 0.001 | 7.2 | 6.5 | 2.5 | 5 | |
| 0.0012 | 7.2 | 6.5 | 2.5 | 5 | |
| 0.0015 | 7.2 | 6.5 | 2.5 | 5 | |
| 0.0018 | 7.2 | 6.5 | 2.5 | 5 | |
| 0.0022 | 7.2 | 6.5 | 2.5 | 5 | |
| 0.0027 | 7.2 | 6.5 | 2.5 | 5 | |
| 0.0033 | 7.2 | 6.5 | 2.5 | 5 | |
| 0.0039 | 7.2 | 6.5 | 2.5 | 5 | |
| 0.0047 | 7.2 | 6.5 | 2.5 | 5 | |
| 0.0056 | 7.2 | 7.5 | 3.5 | 5 | |
| 0.0068 | 7.2 | 7.5 | 3.5 | 5 | |
| 0.0082 | 7.2 | 7.5 | 3.5 | 5 | |
| 0.01 | 7.2 | 7.5 | 3.5 | 5 | |
| 0.012 | 7.2 | 9.5 | 4.5 | 5 | |
| 0.015 | 7.2 | 9.5 | 4.5 | 5 | |
| 0.018 | 7.2 | 9.5 | 4.5 | 5 | |
| 0.022 | 7.2 | 10 | 5 | 5 | |
| 0.027 | 7.2 | 11 | 6 | 5 | |
| 0.033 | 7.2 | 11 | 6 | 5 | |
| 0.039 | 7.2 | 11 | 6 | 5 | |
| 0.047 | 7.2 | 11 | 6 | 5 | |

| 630V (220VAC) | | | | | |
|---------------|---------|-----|-----|--------|-------------|
| CN μ F | 外形尺寸 mm | | | P (mm) | Part Number |
| | W | H | T | | |
| 0.001 | 7.2 | 6.5 | 2.5 | 5 | |
| 0.0012 | 7.2 | 6.5 | 2.5 | 5 | |
| 0.0015 | 7.2 | 6.5 | 2.5 | 5 | |
| 0.0018 | 7.2 | 7.5 | 3.5 | 5 | |
| 0.0022 | 7.2 | 7.5 | 3.5 | 5 | |
| 0.0027 | 7.2 | 7.5 | 3.5 | 5 | |
| 0.0033 | 7.2 | 7.5 | 3.5 | 5 | |
| 0.0039 | 7.2 | 7.5 | 3.5 | 5 | |
| 0.0047 | 7.2 | 9.5 | 4.5 | 5 | |
| 0.0056 | 7.2 | 9.5 | 4.5 | 5 | |
| 0.0068 | 7.2 | 9.5 | 4.5 | 5 | |
| 0.0082 | 7.2 | 9.5 | 4.5 | 5 | |
| 0.01 | 7.2 | 10 | 5 | 5 | |
| 0.012 | 7.2 | 11 | 6 | 5 | |
| 0.015 | 7.2 | 11 | 6 | 5 | |
| 0.018 | 7.2 | 11 | 6 | 5 | |